

Name - _____

Start time - __ : __

End time - __ : __

Cut the 3D shapes from the box given at the end of the page and paste them on the correct spaces given below.



Cube



Pyramid



Rectangular prism



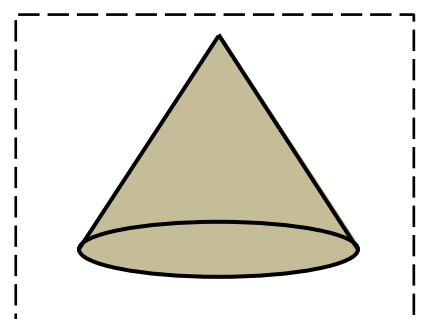
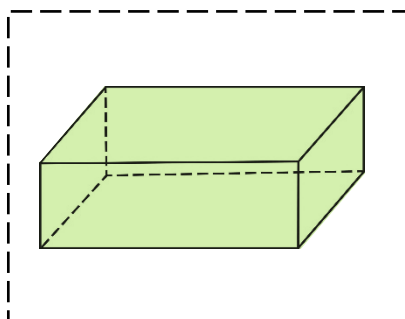
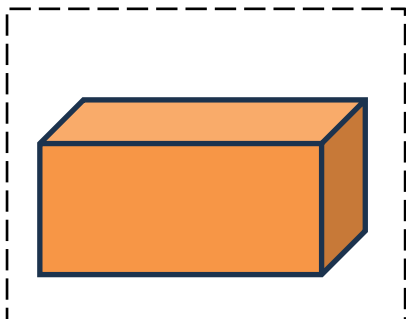
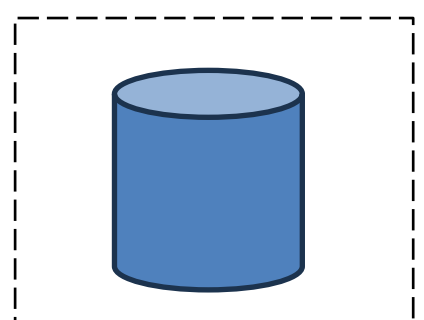
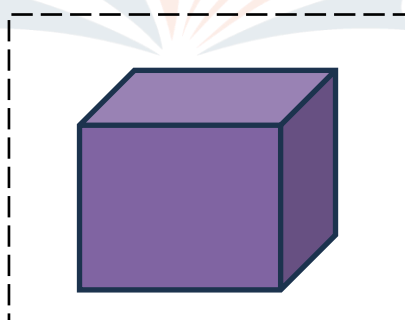
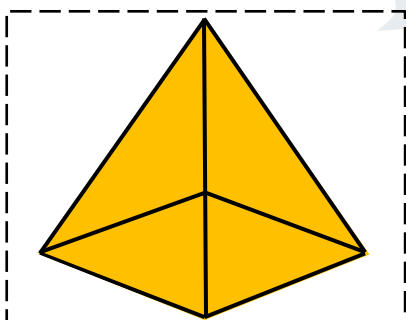
Cone



Cuboid



Cylinder



1

2

3

4

5

6

7

8

9