

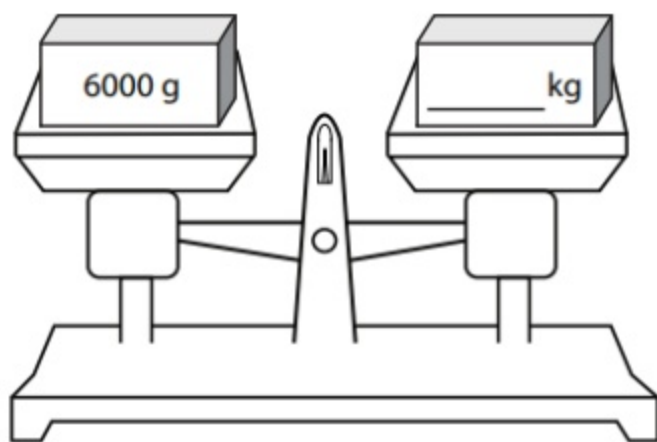
Name - _____

Start time - ___ : ___

End time - ___ : ___

Convert to the units shown:

1.	17000 g = _____ Kg	11.	69 kg = _____ g
2.	46000 g = _____ Kg	12.	9 kg = _____ g
3.	85000 g = _____ Kg	13.	6 Kg = _____ g
4.	3000 g = _____ Kg	14.	9 Kg = _____ g
5.	4999 g = _____ Kg	15.	Kg = _____ g
6.	5900 g = _____ Kg	16.	56 kg = _____ g
7.	42199 g = _____ Kg	17.	11 Kg = _____ g
8.	79150 g = _____ Kg	18.	26 Kg = _____ g
9.	5200 g = _____ Kg	19.	4 kg = _____ g
10.	2300 g = _____ Kg	20.	3 kg = _____ g



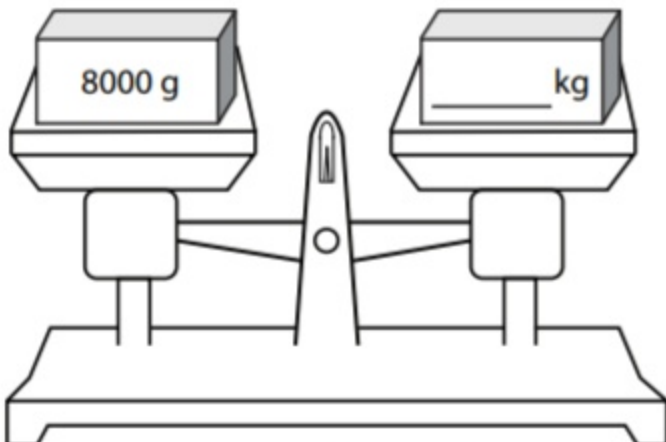
1

2

3

4

5



6

7

8

9