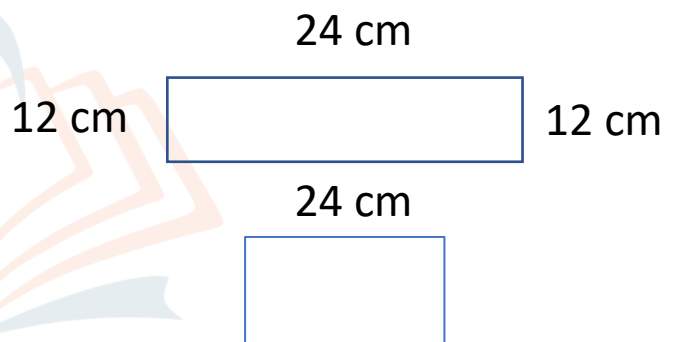
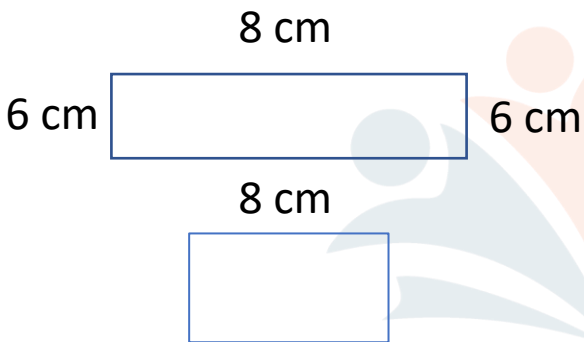
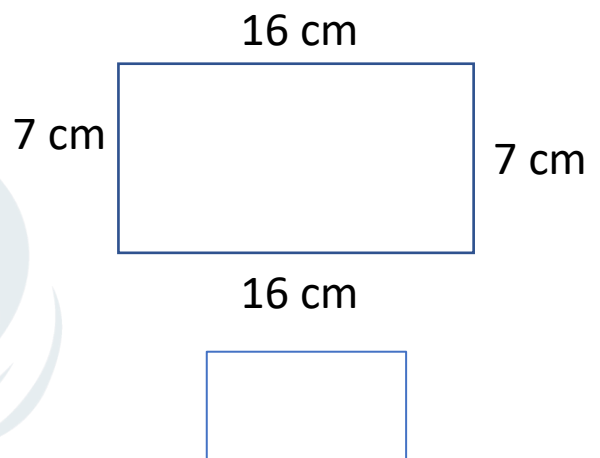
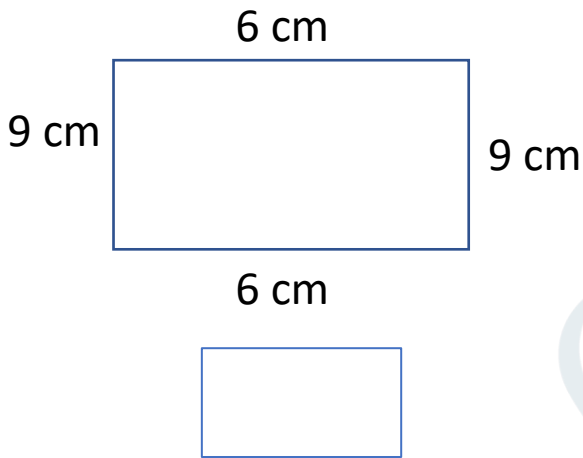


Name - \_\_\_\_\_

Start time - \_\_ : \_\_

End time - \_\_ : \_\_

Find the perimeter of the following figures:

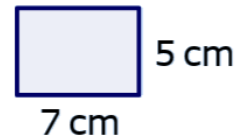


Match each shape to correct perimeter:



14 cm

8 cm



24 cm

28 cm



12 cm



40 cm

1 2 3 4 5 6 7 8 9