

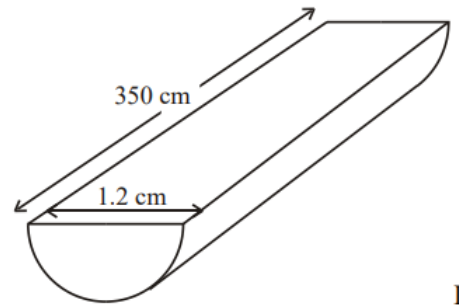
Name - \_\_\_\_\_

Start time - \_\_: \_\_

End time - \_\_: \_\_

## Work out the volume of prisms:

The diagram shows a piece of wood. The piece of wood is a prism of length 350 cm. The cross-section of the prism is a semi-circle with diameter 1.2 cm. Calculate the volume of the piece of wood. Give your answer correct to 3 significant figures.



I

|  |  |
|--|--|
|  |  |
|  | <p>Volume = <math>1440\text{cm}^2</math></p> |
|  |  |

1

2

3

4

5

6

7

8

9