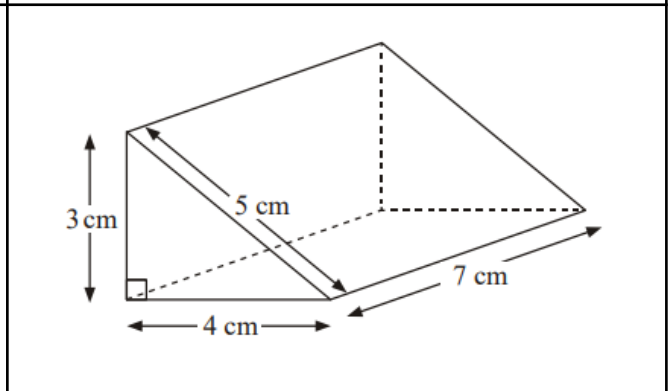
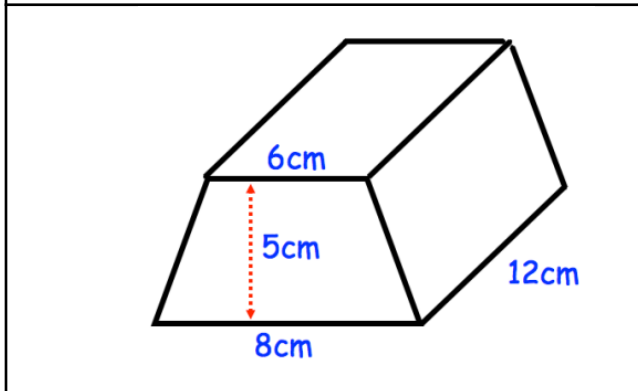
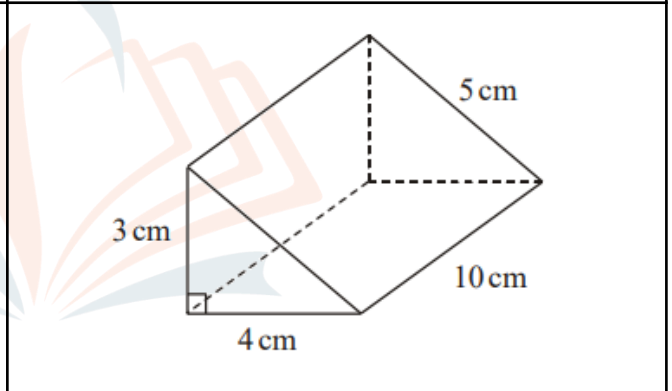
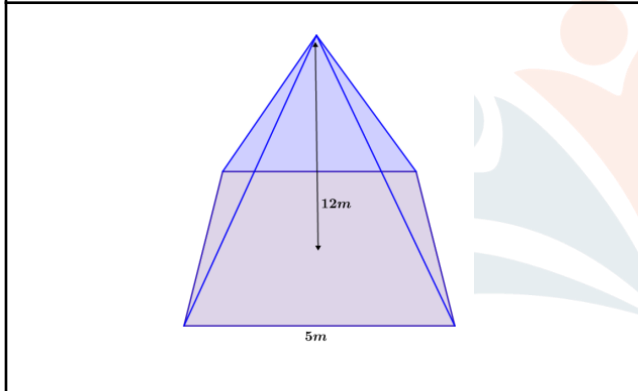
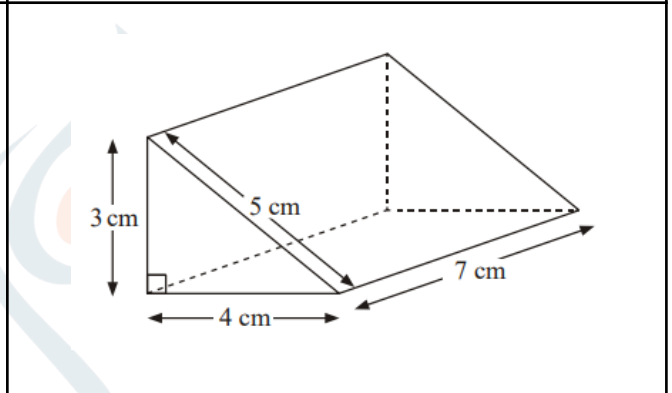
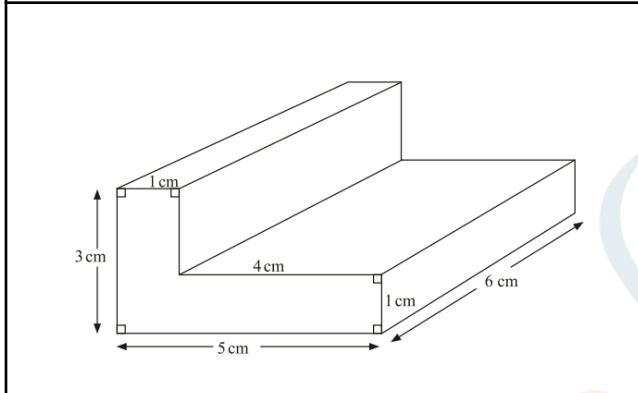
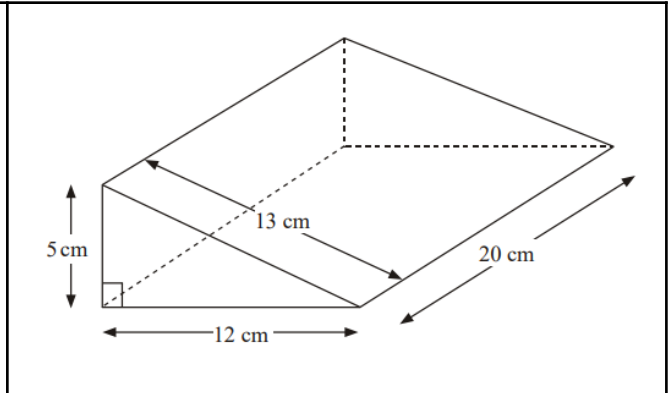
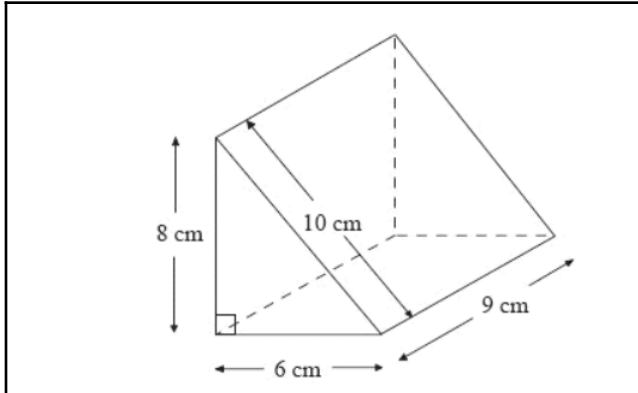


Name - \_\_\_\_\_

Start time - \_\_: \_\_

End time - \_\_: \_\_

## Work out the surface area of prisms:



1

2

3

4

5

6

7

8

9