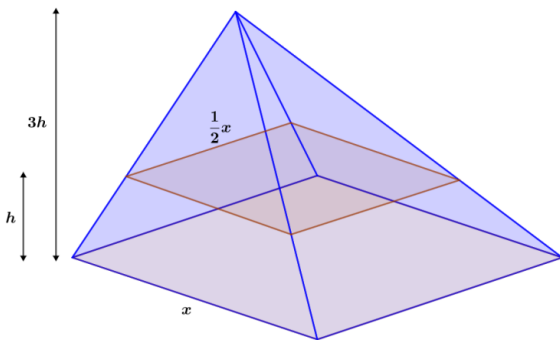
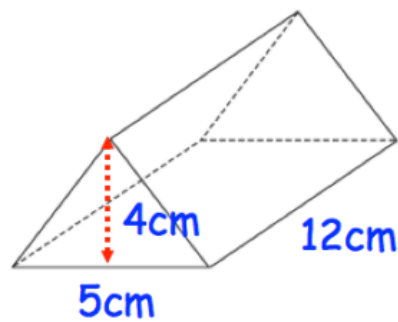
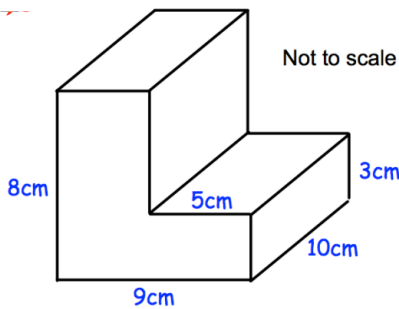
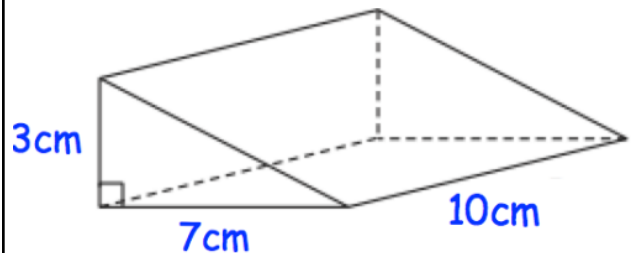
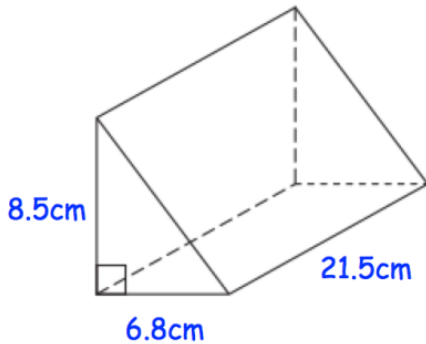


Name - \_\_\_\_\_

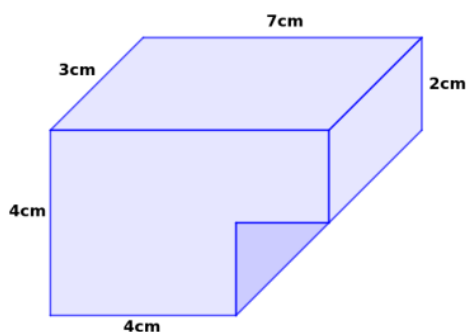
Start time - \_\_: \_\_

End time - \_\_: \_\_

## Work out the surface area of prisms:



Water fills a square based pyramid below to a height of  $h$ . Calculate the proportion of the pyramid that is filled with water. Give your answer as a percentage.



Which prism has the greater volume? The shape below, or a cylinder with diameter 9cm and height 2cm.