

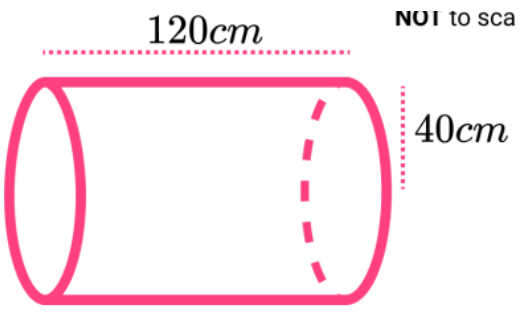
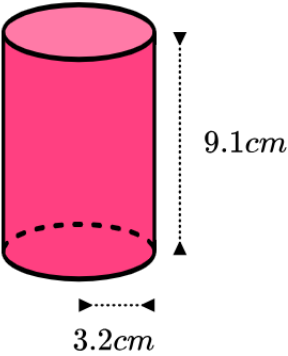
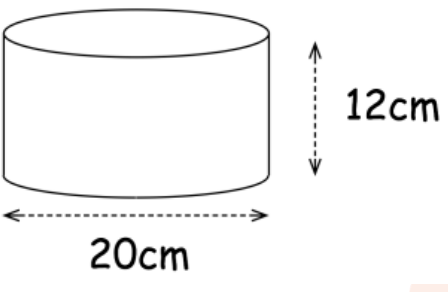
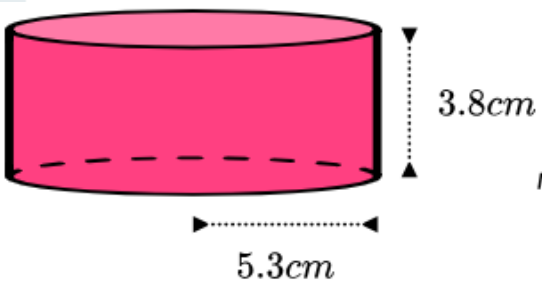
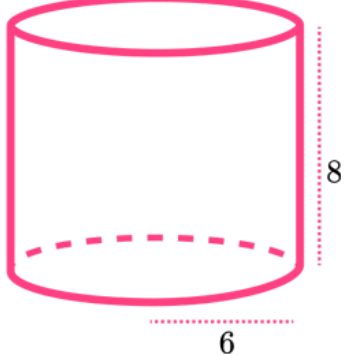
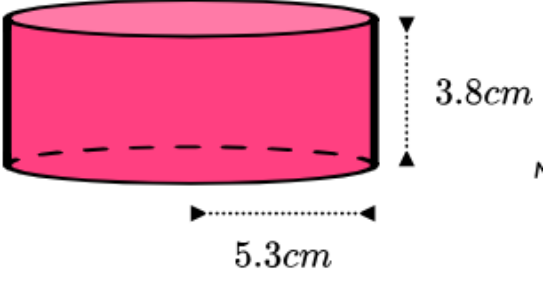
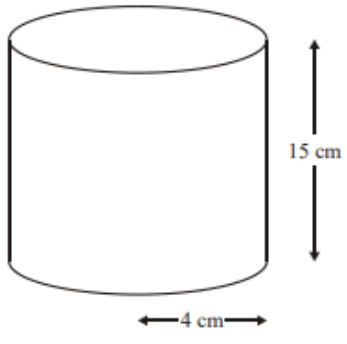
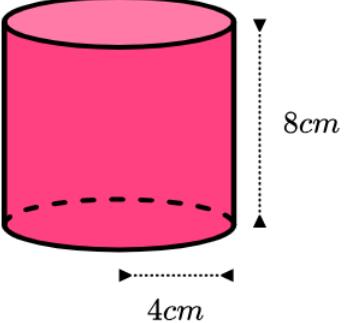
Name - \_\_\_\_\_

Start time - \_\_: \_\_

End time - \_\_: \_\_

Work out the surface area of the cylinder.

Give your answer correct to 3 significant figures:

 <p>120cm 40cm NOT to scale</p>	 <p>9.1cm 3.2cm</p>
 <p>12cm 20cm</p>	 <p>3.8cm 5.3cm</p>
 <p>8 6</p>	 <p>3.8cm 5.3cm</p>
 <p>15cm 4cm</p>	 <p>8cm 4cm</p>

1

2

3

4

5

6

7

8

9